

PELANGI

LIGHTHOUSE PEDESTAL

PRL400

Revolving Lighthouse lens assembly for medium to high range duties.



OVERALL DIMENSIONS

PRL400 Pedestal:

Overall height : 525 mm
Overall diameter : 400 mm

PRL and PRL400 Housing:

Overall height : 783 mm
Dimension over mounting feet : 511 mm

MOUNTING DETAILS

Pedestal:

3 x 12mm holes on 360 P.C.D. with levelling adjustment bushes.

Weatherproof Housing Version:

3 x 14mm holes on 458 PCD

The PRL400 revolving lighthouse pedestal has been designed by Pelangi for a number of beacon and lighthouse applications.

Supplied in 3 versions:

- Drive pedestal for conversion of existing Power Beam Beacons (PBB)
- Pedestal and tailored lens assembly for lighthouse solarisations to match existing characters
- Standalone beacon housing PBB or PRL pedestal in weatherproof housing
- Options for dual or single gearless drive assemblies each electrically isolated from the other.
- 6 to 8 full panel or 16 half panel lens configurations available.
- Optional electrically isolated speed monitor board gives visual Over, Under, and Runaway Speed LED indications plus revolution counter for independent telemetry monitoring and local viewing.
- Totally self contained controls mounted within pedestal removing need for separate control panel and interconnecting cable unless requested by customer.
- Specifically designed to accommodate PA6 series of lampchanger for halogen or PA2 for MBI lamp duties.
- Interconnects directly with universal Pelangi "COMMUNICATOR" for easy remote monitoring.
- Runs from 12 or 24 volt D.C. supplies.



**INDUSTRIAL MEMBER
INTERNATIONAL
ASSOCIATION OF
LIGHTHOUSE
AUTHORITIES**

PELANGI

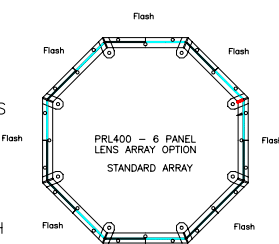
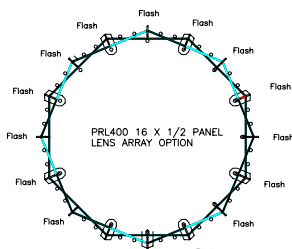
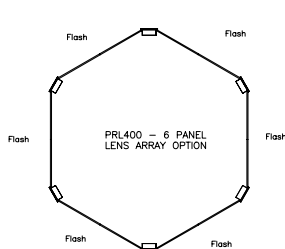
LIGHTHOUSE PEDESTAL

PRL400

PRL400 LIGHT INTENSITY FOR FULL AND HALF PANEL EXHIBITION

Lamp Size	Intensity (Io Cds)	R.P.M	Period (sec)	Full Panel Intensity	Range (miles)	Flash (sec)	Period (sec)	Half Panel Intensity	Range (miles)	Flash (sec)
HALOGEN LAMPS										
12v 10 Watt	96,000	0.5	15.0	32,000	16.1	0.20	7.50	16,000	15.3	0.40
12v 10 Watt	96,000	1.0	7.5	19,000	15.3	0.10	3.75	9,500	14.2	0.20
12v 20 Watt	230,000	0.5	15.0	77,000	19.1	0.20	7.50	38,500	17.4	0.40
12v 20 Watt	230,000	1.0	7.5	46,000	17.9	0.10	3.75	23,000	16.2	0.20
12v 50 Watt	350,000	0.5	15.0	117,000	20.1	0.23	7.50	58,500	18.4	0.46
12v 50 Watt	350,000	1.0	7.5	70,000	18.9	0.12	3.75	35,000	17.1	0.24
12v 75 Watt	364,000	0.5	15.0	166,000	21.0	0.30	7.50	83,000	19.3	0.60
12v 75 Watt	364,000	1.0	7.5	107,000	19.9	0.15	3.75	53,500	18.2	0.30
12v 75 Watt	364,000	1.5	5.0	79,000	19.2	0.10	2.50	39,500	17.5	0.20
12v 100Watt	488,000	0.5	15.0	222,000	21.7	0.30	7.50	111,000	20.0	0.60
12v 100Watt	488,000	1.0	7.5	144,000	20.6	0.15	3.75	72,000	19.9	0.30
12v 100Watt	488,000	1.5	5.0	105,000	19.9	0.10	2.50	52,500	18.2	0.20
METAL HALIDE										
35 Watt CDMT	462,000	0.5	15.0	231,000	21.8	0.50	7.50	115,500	20.1	1.00
35 Watt CDMT	462,000	1.0	7.5	154,000	20.9	0.25	3.75	77,000	19.1	0.50
35 Watt CDMT	462,000	1.5	5.0	116,000	20.1	0.17	2.50	58,000	18.4	0.34
35 Watt CDMT	462,000	2.0	3.75	92,000	19.5	0.13	1.87	46,000	17.9	0.26
70 Watt CDMT	750,000	0.5	15.0	404,000	23.3	0.53	7.50	202,000	21.5	1.06
70 Watt CDMT	750,000	1.0	7.5	276,000	22.3	0.27	3.75	138,000	20.5	0.54
70 Watt CDMT	750,000	1.5	5.0	210,000	21.6	0.18	2.50	105,000	19.9	0.36
70 Watt CDMT	750,000	2.0	3.75	169,000	21.0	0.13	1.87	84,500	19.3	0.26
150 Watt CDMT	1,100,000	0.5	15.0	688,000	24.6	0.67	7.50	344,000	22.9	1.34
150 Watt CDMT	1,100,000	1.0	7.5	500,000	23.9	0.33	3.75	250,000	22.0	0.66
150 Watt CDMT	1,100,000	1.5	5.0	393,000	23.2	0.22	2.50	196,500	21.4	0.44
150 Watt CDMT	1,100,000	2.0	3.75	324,000	22.7	0.17	1.87	162,000	20.9	0.34
150 Watt CDMT	1,100,000	3.0	2.5	239,000	21.9	0.11	1.25	119,500	20.1	0.22

- All ranges are calculated with a transmission factor of $T=0.74$
- Rotational speeds are infinitely adjustable between 0.5 and 10 RPM. The above speeds are given for ease of comparison.
- Halogen lamps are mounted on the standard 6 place PA6 series lampchanger. Metal halide on PA2 lampchanger
- Other lamps are available on request including pre-focus.
- Group character beam configurations are possible with blanking screens and are detailed in specific proposals

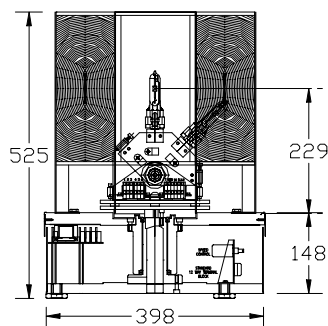


NUMEROUS ARRAY CONFIGURATIONS ARE AVAILABLE TO SUIT CUSTOMERS CHARACTERS.

THE STANDARD ARRAY IS 8 FULL PANELS WITH OPTIONS FOR 16 X 1/2 PANELS OR 6 FULL PANELS.

THE LENS ARRAY CAN BE FITTED WITH BLANKING PANELS TO SUIT CHARACTER.

8 AND 16 PANEL ARRAYS PERMIT SLOW ROTATION SPEEDS WHICH DOUBLE FLASH LENGTHS AND HENCE INCREASE RANGE.



PRL400 Pedestal shown with PA2 lampchanger and CDMt lamps. Other options include PA6 lampchanger and filaments lamps.

Mountings 3 x 12mm on 360 P.C.D.