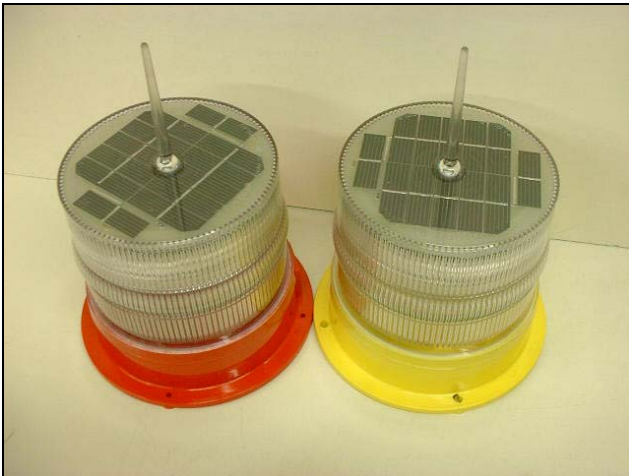


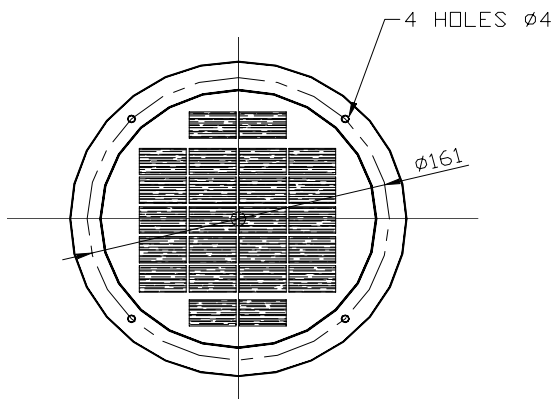
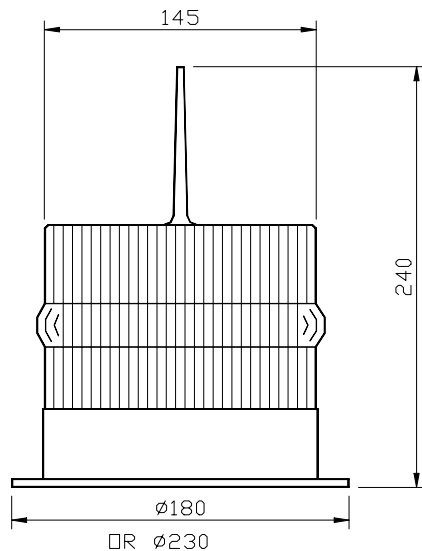
PELANGI

L.E.D. LANTERN

PL82 Solar Lantern



The complete PL82 Solar, LED, marine lantern



Solar LED Lantern Mounting Detail

The PL82 Self-contained solar LED lantern has been designed for flashing buoy or beacon applications for ranges of up to 2 Miles.

- Provides long term maintenance-free operation at low cost.
- Simple 'bolt on' installation with no external wiring, low overall weight, and compact size enables the lantern to be carried by small buoys. Adaptor bracket available for pole mounting.
- 140mm Polycarbonate Lens, with bird spike, and wide vertical divergence of 9 degrees, permits easy identification even when mounted on a heeling small buoy.
- Available in Red, Green, White & Blue (where permitted).
- Includes automatic photocell control, and achieves an effective intensity of 6 cds giving a range of 2 miles @ T=0.74
- Internal rechargeable batteries to cover periods without sunlight. Double capacity supplied as standard for UK conditions. Batteries can be easily replaced.
- Solar LED Lantern can be user programmed to 256 different flashing characters, via user accessible internal switches. Internal master on/off switch, allows the unit to be deactivated and stored without removing the batteries.
- Base and lens are both manufactured from Robust UV stabilised polycarbonate, and sealed to IP68 standard to prevent water ingress.
- 4 Intensity settings allow reduced power output for latitudes where sunlight levels are low or to allow heavier flashing characters to be used. Please check with Pelangi Engineers if in doubt.



INDUSTRIAL MEMBER
INTERNATIONAL
ASSOCIATION OF
LIGHTHOUSE
AUTHORITIES