

PELANGI

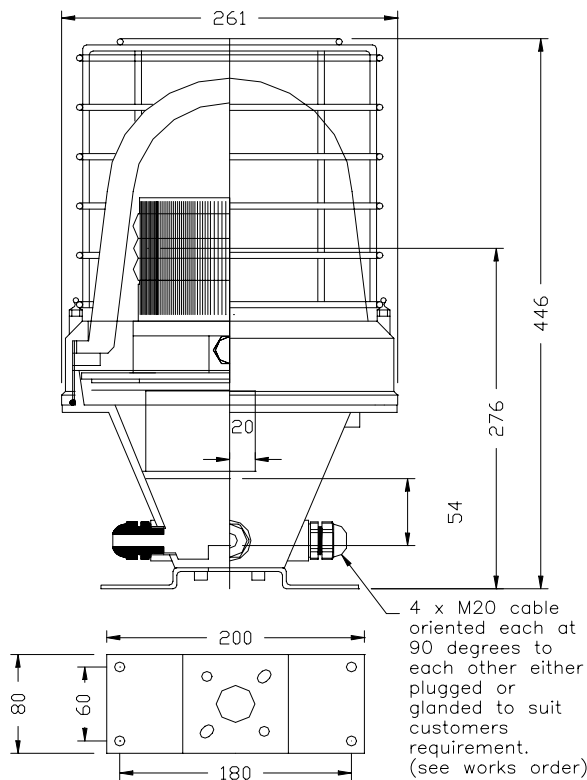
LANTERN

PL501EX

The PL510Ex is a Marine Lantern certified for installation in hazardous areas such as petrochemical jetties.



PL501EX Lantern with PL83 LED light source and stainless steel guard.



The PL510Ex can be supplied with a range of internal light sources to suit the requirements of the customer.

- Optional lights sources include:
 - (a) Mains powered 18 watt energy efficient available in Red, Green, White, or Blue.
 - (b) PL83 LED lantern available for mains or 12 volt DC available in Red, Green, Yellow, or White for 2-4 NM when T=0.74.
 - (c) 24 Joule Xenon strobe powered from 110 or 240 volt A.C. mains or 12/24 volt D.C. supplies for flashing fog or identification duties.
- Lantern can be used as a vertical mounted twin pair with steady burning light, or as a single flashing light to achieve ranges of 2-4 miles Red or Green when T=0.74
- The PL510Ex is ATEX certified for use in hazardous areas to EEx-d IIB IIC T3
- Marine grade aluminium castings make unit lightweight at approx 10Kgs with optional powder coating if required.
- Conformity - **CEI 31.1-31.8-64.2**
IEC79.1
CENELEC EN 50.014-50.018
- Pelangi can supply a range of mounting columns to suit the requirements of the location.

Height : 446mm

Diameter : 261mm

Fixings : 4 x 8mm spaced 180 x 60

Mounting flange : 200 x 80 x 3.2mm thick

Entries : 4x20mm x 1.5 pitch or 3/4 NPT