

# PELANGI

## LANTERN

## PL350-LED

**Robust LED Lantern for medium to long range beacons and lighthouses.**



**Single PL350-LED Lantern.**

### SPECIFICATION

Fresnel Lens Diameter:	350mm
Fresnel Lens Material:	Optical Polycarbonate
Light Source:	Light Emitting Diodes
Peak Intensity:	1400 Candelas per LED Tier, White
Vertical Divergence:	3% to 10% of peak intensity
Colours:	Red, Green, White, Yellow
Temperature Range:	-40 to +60 Celsius
Flasher:	Smartflasher
Mounting Holes:	4x12mm dia. on 200 PCD
Weight:	8 Kg for single tier, plus 2Kg per additional tier



**INDUSTRIAL MEMBER  
INTERNATIONAL  
ASSOCIATION OF  
LIGHTHOUSE  
AUTHORITIES**

**The PL350-LED lantern has been designed for up to 10 years unattended service.**

- Rugged construction designed to withstand Baltic winters without need of protective ice dome.
- Available with up to 7 tiers of LED's in one unit to suit the viewing range required.
- Can interface to WEBSCADA System. This enables connection to Satellite, Radio, or GSM monitoring systems.
- Low maintenance, with up to 10 years unattended service.
- Zone I certified lantern version is available to EEx em II T4 standards.
- More power efficient than equivalent filament lanterns, allowing solar power where not previously practical or cost effective, or longer ranges for the same power consumption.

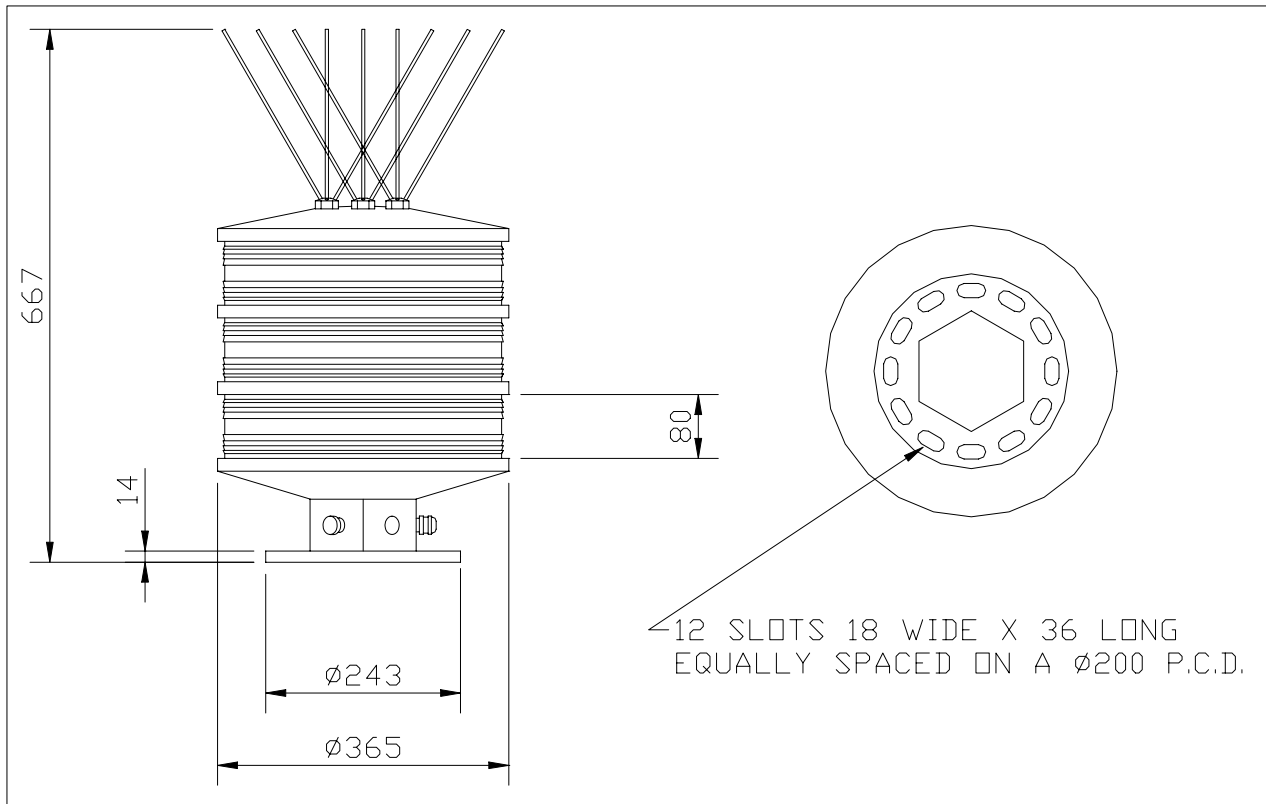


**PL350-LED Lantern with 6 LED tiers.**

# PELANGI

## LANTERN

## PL350-LED



**PL350-LED Lantern General Arrangement (Example shown is the 3-tier version)**

### PL350-LED LANTERN RANGE

Colour	Stationary Intensity Per Tier	Range T=0.74
Green	900cds@12W	9.2 miles
Red	800cds@12W	8.9 miles
White	1400cds@12W	10.1 miles
Yellow	600cds@12W	8.4 miles

- Lantern versions with more tiers of LED's can be supplied ( up to 7 ) giving larger ranges up to 14 NM.
- Unlike filament lamps, the electrical contact time is equal to the flash length. Similarly, no reduction need be applied for filter losses when a coloured light is required.
- Above candelas figures were measured after temperature stabilisation with fixed intensity.

### TYPICAL LANTERN APPLICATION

Application: Lighthouse Beacon  
No. of Tiers: 2 LED Tiers  
Power Input: 2.4 Watts based on 10% duty.  
Peak Intensity: 2800 cds  
Effective: 2000 cds based on 0.5s flash.  
Range: 15.8 miles at T=0.85  
Monitoring: GSM Smartlink box, giving remote monitoring and control.



**INDUSTRIAL MEMBER  
INTERNATIONAL  
ASSOCIATION OF  
LIGHTHOUSE  
AUTHORITIES**