

PELANGI

LANTERN

PL300

Medium range robust cut and polished glass lens beacon for exposed locations on sea washed sites.



OVERALL DIMENSIONS

Height over bird spike	: 790mm
Focal plane	: 430mm
Diameter over feet	: 380mm
Gross weight	: 60 kgs
Net weight	: 32 kgs

MOUNTING DETAILS

4 x M12 holes on 342mm PCD

Self contained lantern capable of housing a selection of lampchangers, flashers and remote switching controls inside the body.

- 300mm cut and polished lens provides good intensity and efficient conversion of light source unlike moulded lenses.
- Large diameter parallel lens permits sharp definition between colour sectors or blanking screens.
- Much improved design increases lampchanger and flasher access for maintenance.
- Standard unit supplied with stainless steel lifting eye for installation which is then replaced with a stainless steel bird spike after commissioning.
- IP66 construction in LM25 aluminium primed and epoxy coated providing excellent resistance to the elements on exposed sea washed sites.
- All internal and external fittings manufactured in stainless steel for durability.
- Option to fit varying lamp sizes, sectors or omni-directional coloured filters to suit duty.
- Large base ideal for housing mains power supply or radio synchronisation equipment without the need for extra enclosures or interconnecting cabling.

PELANGI

LANTERN

PL300

TECHNICAL SPECIFICATION

COLOR CHARACTER	WHITE						RED						GREEN									
	FIXED		FLASHING		FLASHING		FIXED		FLASHING		FLASHING		FIXED		FLASHING							
TRANSMISSION FACTOR	0.85	0.74	0.40	0.85	0.74	0.40	0.85	0.74	0.40	0.85	0.74	0.40	0.85	0.74	0.40	0.85	0.74	0.40				
LAMP	(a) (b)		RANGE IN MILES (C)						RANGE IN MILES (C)						RANGE IN MILES (C)							
File	Volt	Amp	Sec	CDS																		
C8	12	0.55	0.25	194	8.4	6.4	3.3	7.6	5.9	3.1	4.6	3.8	2.2	4.3	3.6	2.0	5.1	4.1	2.3	4.6	3.8	2.1
C8	12	0.77	0.30	259	9.2	6.9	3.7	8.3	6.3	3.3	5.3	4.3	2.5	4.6	3.8	2.2	5.5	4.4	2.5	5.1	4.1	2.3
C8	12	1.15	0.30	470	11.0	7.9	4.0	10.1	7.4	3.8	6.4	5.1	2.9	5.8	4.7	2.7	6.8	5.4	2.9	6.1	4.9	2.8
C8	12	1.35	0.35	585	11.6	8.4	4.2	10.5	7.8	4.0	6.9	5.4	3.0	6.2	5.0	2.8	7.1	5.5	3.1	6.7	5.3	2.9
C8	12	2.03	0.35	1040	13.2	9.4	4.7	12.5	8.9	4.5	8.1	6.2	3.3	7.6	5.9	3.1	8.5	6.5	3.4	8.0	6.1	3.3
C8	12	3.05	0.40	1430	14.3	10.1	4.9	13.5	9.5	4.7	9.0	6.8	3.8	8.5	6.5	3.4	9.4	7.1	3.8	8.8	6.7	3.5
C8	12	4.00	0.45	1600	14.7	10.3	5.0	14.1	9.9	4.8	9.3	7.0	3.9	8.8	6.7	3.5	9.8	7.3	3.9	9.3	7.0	3.7
C8	12	5.00	0.50	2340	15.9	11.1	5.3	15.2	10.8	5.1	10.4	7.7	4.0	9.8	7.3	3.9	10.7	8.0	4.0	10.4	7.7	4.0
CC8	12	1.00	0.30	769	11.9	8.8	4.5	10.6	7.9	4.1	8.8	6.7	3.6	7.6	5.9	3.3	9.0	6.8	3.7	7.8	6.0	3.3
CC8	12	1.90	0.35	1695	14.8	10.4	5.2	13.2	9.4	4.8	11.0	8.1	4.2	9.8	7.3	3.9	11.3	8.2	4.3	9.8	7.3	4.0
CC8	12	3.00	0.40	2309	16.0	11.1	5.4	14.5	10.2	5.1	12.0	8.7	4.5	10.6	7.9	4.2	12.2	8.8	4.6	11.0	8.1	4.3
CC8	12	5.00	0.50	2700	16.5	11.4	5.5	15.3	10.7	5.3	12.4	8.9	4.7	11.4	8.3	4.3	12.6	9.0	4.8	11.6	8.4	4.4

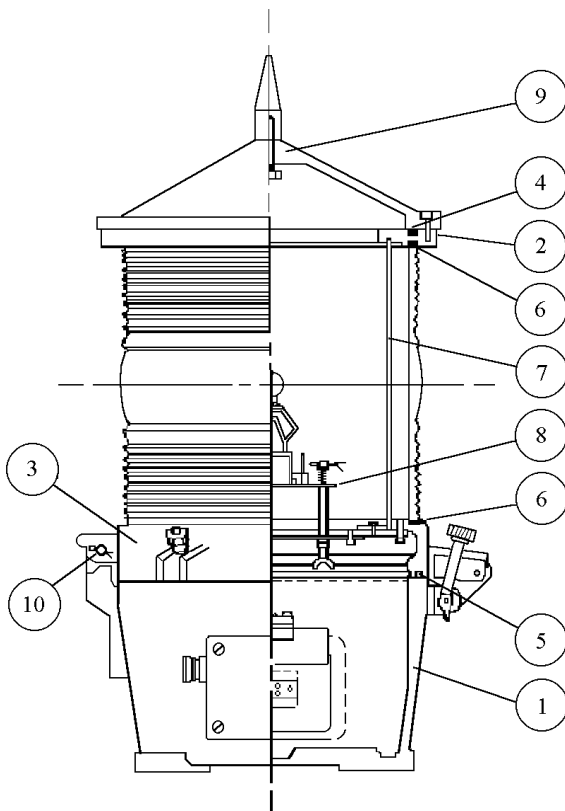
In temperate regions transmission factor T=0.85 is clear, T=0.75 is average and T=0.4 is rain.

(a) Minimum recommended flash length for wattage.

(b) Stationary steady burning intensity.

(c) Range when flashed at (a).

(d) For yellow lens read white range x 0.9



SPARE PART RE-ORDERING KEY

- 1 Base
- 2 Lens ring
- 3 Hinge ring
- 4 Hood 'O' ring
- 5 Lens 'O' ring
- 6 Lens gasket
- 7 Lens astragal
- 8 Lampchanger plate
- 9 Hood
- 10 Hinge pin
- 11 Filter or sector
- 12 Lampchanger - specify type
- 13 Flasher - specify type
- 14 Lifting eye
- 15 Lens

Please quote serial number with order