

# PELANGI

## LANTERN

## PL100

Leading light for safe marine navigation in a restricted channel.



Photo above shows PL100 marine navigation range light fitted with optional gun sight which is removed after installation

### MOUNTING DETAILS

220 x 220mm mounting plate with 4 x 14mm dia. holes - 168mm centres.

Net weight 8.25 kgs.



**INDUSTRIAL MEMBER  
INTERNATIONAL  
ASSOCIATION OF  
LIGHTHOUSE  
AUTHORITIES**

The PL100 marine navigation leading light is supplied by Pelangi for leading light approach channel applications. Also for bridge and dock entrances for both night and/or daytime traffic control.

- Selection of narrow, medium and wide beam acrylic Fresnel lens.
- Lens available in clear, red, green, yellow, blue and sectored on special request.
- Cast marine grade aluminium body with adjustable mounting plate
  - 12 degrees vertically
  - 15 degrees horizontally.
- Option of pole mounting available on special request.
- Levelling sight incorporated as standard to assist with installation.
- Light source of 10.3 volt, 2, 5, 10, 20, 40, 60 and 100 watt dual filament lamps.
- Choice of flashers:  
Easyflash or Easyflash Communicator for synchronised radio control or C-R, APS or ELCO-12 units for interchange ability.
- 12v DC operating voltage or from mains via a transformer rectifier or battery charger if a standby service period is required.

### Optional extras

- Padlock to prevent unauthorised access.
- Gun sight for horizontal and vertical alignment.
- Sunswitch.
- Alternative version with 6-place Lampchanger is available.

# PELANGI

## LANTERN

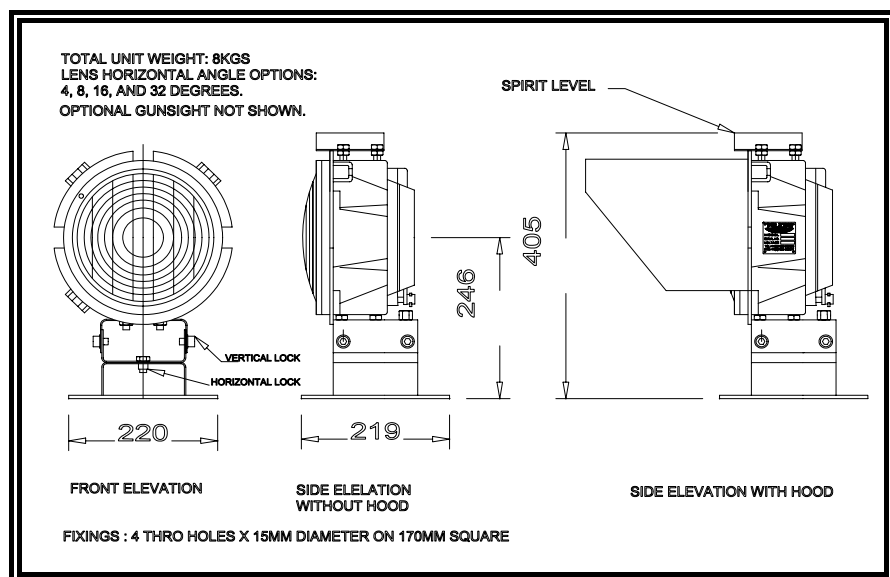
## PL100

### TECHNICAL SPECIFICATION

COLOR				WHITE						RED						GREEN						
CHARACTER				FIXED			FLASHING			FIXED			FLASHING			FIXED			FLASHING			
TRANSMISSION FACTOR				0.85	0.74	0.40	0.85	0.74	0.40	0.85	0.74	0.40	0.85	0.74	0.40	0.85	0.74	0.40	0.85	0.74	0.40	
Beam	LAMP	(a)	(b)	RANGE IN MILES (c)						RANGE IN MILES (c)						RANGE IN MILES (c)						
(e)	Watt	Sec	CDS																			
N A R R O W	4	2	0.15	1260	13.9	9.8	4.6	11.3	8.2	4.2	10.1	7.6	3.8	8.0	6.1	3.2	10.4	7.7	3.9	8.1	6.2	3.3
	4	5	0.20	3000	16.9	11.7	5.5	14.5	10.2	5.0	12.8	9.2	4.5	10.6	7.9	4.0	12.9	9.2	4.6	10.8	8.0	4.0
	6	10	0.30	5800	19.1	12.9	6.0	17.4	11.9	5.5	15.0	10.5	5.0	13.2	9.4	4.5	15.2	10.6	5.2	13.5	9.6	4.6
	6	20	0.35	11500	21.5	14.5	6.5	20.0	13.5	6.3	17.4	11.9	5.4	15.7	10.9	5.1	17.5	12.0	5.5	15.9	11.1	5.2
	6.5	40	0.50	22400	24.2	16.1	7.1	23.2	15.4	6.8	19.7	13.3	6.2	18.5	12.5	5.8	20.0	13.8	6.3	18.8	12.7	6.0
W	6.5	60	0.75	29000	25.0	16.5	7.3	24.5	16.0	7.1	20.7	13.9	6.4	19.7	13.2	6.2	21.0	14.1	6.5	20.0	13.5	6.4
	7	100	1.00	48000	27.5	17.6	7.7	27.0	17.5	7.6	22.0	15.0	6.7	21.8	14.5	6.5	23.0	15.2	6.8	22.0	14.7	6.6
M E D I U M	9	2	0.15	780	12.2	8.8	4.2	9.8	7.3	3.7	8.9	6.7	3.5	6.9	5.4	3.0	9.0	6.8	3.6	7.0	5.4	3.0
	9	5	0.20	1900	15.3	10.7	5.0	13.0	9.3	4.6	11.4	8.2	4.2	9.4	7.1	3.6	11.6	8.4	4.3	9.6	7.2	3.7
	9	10	0.30	3800	17.7	12.1	5.7	15.8	11.0	5.2	13.5	9.6	4.6	11.9	8.6	4.3	13.8	9.8	4.7	12.1	8.7	4.4
	9	20	0.35	7600	20.1	13.6	6.2	18.2	12.5	5.9	15.8	11.0	5.2	14.3	10.1	4.7	16.1	11.2	5.3	14.5	10.2	4.8
	9	40	0.50	15000	23.0	15.2	6.7	21.5	14.4	6.5	18.0	12.4	5.7	17.0	11.8	5.4	18.5	12.5	5.8	17.3	11.9	5.5
W	9	60	0.75	21000	24.1	16.0	7.0	23.5	15.5	6.8	19.6	13.1	6.1	18.8	12.6	5.9	19.8	13.3	6.2	19.0	12.3	6.0
	9.5	100	1.00	33000	26.0	16.9	7.4	25.0	16.1	7.2	21.2	14.2	6.4	20.5	13.8	6.3	21.5	14.3	6.5	20.7	14.0	6.4
W I D E	32	2	0.15	180	8.3	6.3	3.2	6.2	5.0	2.7	5.5	4.4	2.5	4.1	3.4	2.0	5.7	4.6	2.5	4.3	3.6	2.0
	32	5	0.20	450	10.6	7.9	4.0	8.8	6.7	3.5	7.5	5.8	3.0	6.0	4.8	2.7	7.6	5.9	3.0	6.1	4.9	2.7
	32	10	0.30	900	12.8	9.2	4.5	11.3	8.2	4.2	9.3	7.0	3.6	8.0	6.1	3.3	9.4	7.1	3.6	8.1	6.2	3.3
	32	20	0.35	1800	15.2	10.6	5.0	13.5	9.6	4.6	11.2	8.2	4.1	9.8	7.3	3.7	11.4	8.3	4.2	10.0	7.5	3.8
	32	40	0.50	3600	17.5	12.0	5.6	16.2	11.3	5.3	13.2	9.4	4.5	12.1	8.8	4.3	13.6	9.7	4.6	12.4	8.9	4.5
	32	60	0.75	6000	19.5	13.1	6.0	18.0	12.5	5.8	15.2	10.6	5.0	14.3	10.1	4.7	15.3	10.7	5.2	14.5	10.2	4.8
32	100	1.00	10000	21.4	14.3	6.5	20.5	13.8	6.3	16.9	11.7	5.4	16.2	11.2	5.2	17.0	11.8	5.4	16.3	11.3	5.5	

- (a) Minimum recommended flash length for wattage.  
 (b) Stationary steady burning intensity.  
 (c) Range when flashed at (a)

- (d) For yellow lens read white range x 0.9  
 (e) Horizontal divergence in degrees.



PL100 Leading Light

PL100 Range Light